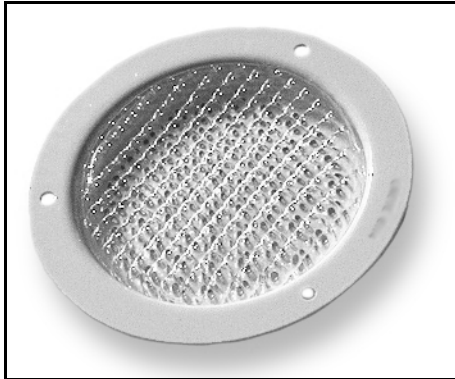


High Lumen LED Lamps

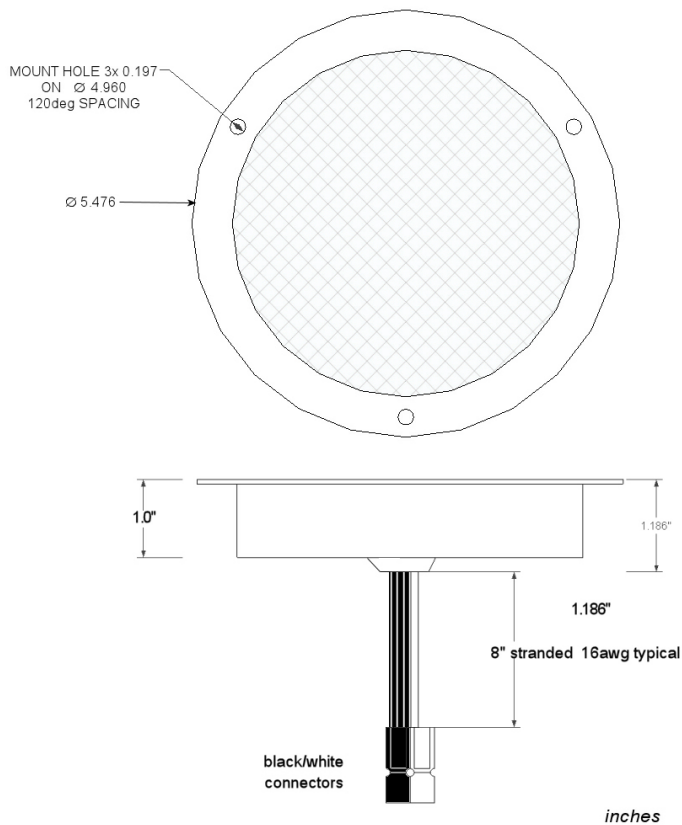


SolarOne's® HL (High Lumen) Series white LED Lamps are a directional, high-density, high-efficiency light source for autonomous solar lighting applications, providing long life (50,000+ hours), high color rendering, high reliability, and offers a high level of control to the lighting system designer.

HL Series lamps are designed to be driven from the **So-Bright™** Lamp Driver using constant current control method from a 12 volt power source. Be sure the Lamp Driver Peak Current is the same as the peak current for the HL Series lamp.

The HL600 offers 65% more lumens than the previous generation of LED lamps and 20% more lumens than other lamps using the similar LEDs due to SolarOne's patent pending LED drive method. The HL600 has an amazing 70 lumen-per-watt efficiency which is equal to or better than most compact fluorescent light bulbs. HL1200 and HL1800 are lamping designations representing combinations of the HL600 lamps.

	Lamping	Lumens	Type
actual lamp	HL600	600	single lamp head
designation	HL1200	1200	double lamp head
designation	HL1800	1800	triple lamp head



HL380 has 4 wires

Black (3) +, White (common) -

Connections

Wire Colors	Black (3 wires) + White (common) -
Connector Colors	Black + White -

Mechanical Specifications

Wire Gauge	16 awg
Case	White Powder Coated Aluminum
Encapsulate	White Epoxy
Lens	Pattern 12 Clear Acrylic
Weight	0.5 lb (.22 kg)

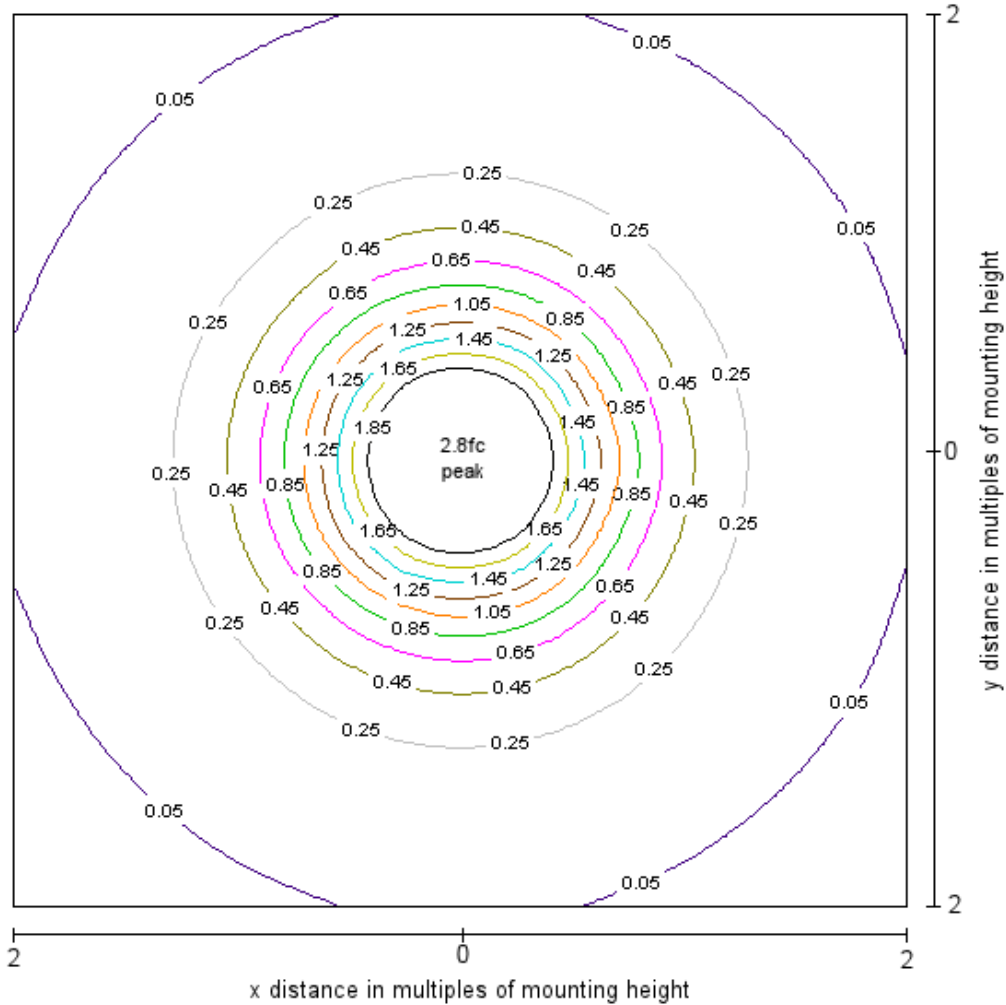
Electrical and Optical Specifications

Drive Method	Constant Current Control Required. See MCD Lamp Driver
Limiting Resistors	No limiting resistors
Number of LEDs	24
Number of strings	3
Peak Input Current	350mA
LED Type	White, High-Lumen
Luminous Efficiency	70 Lumens per watt
Color Temperature	6000k
Color Rendering Index	>80

Photometry

Calculation Height: 10ft
 Number of Lamps: 1
 Color Temperature: 6000k

Total Lumens: 600 lm
 Aiming: Vertical straight down
 Current Draw: 0.85 Amps at 12.5V



Mounting Height	FC Multiplier
10ft	1
12ft	0.69
15ft	0.44
18ft	0.31

Lamping	FC Multiplier
HL600	1
HL1200	2
HL1800	3

For example, HL1800 (three lamps) mounted at 18 ft will have a peak foot-candle value of 2.6fc (2.8fc x 3 x 0.31).