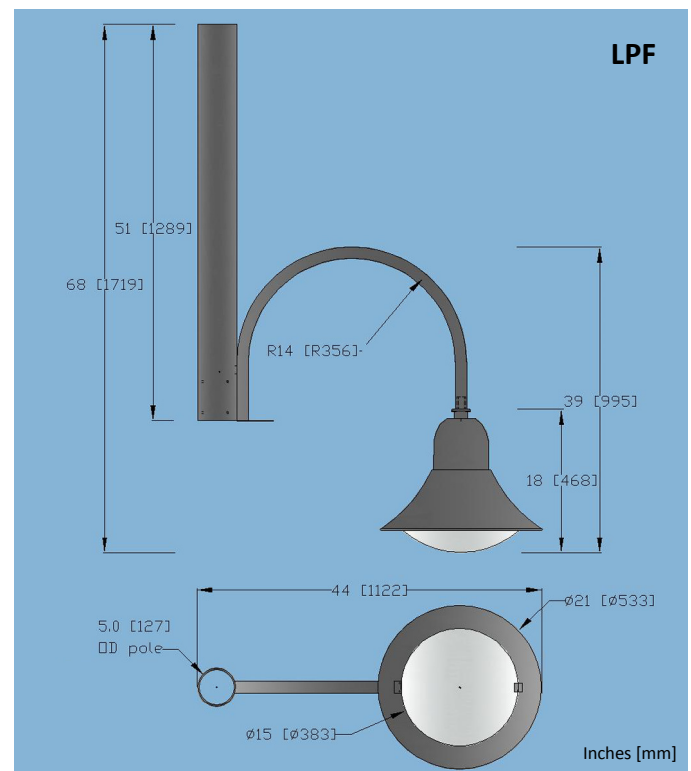


Flare Series Pathway Light

SolarOne®
Lighting



SolarOne's Flare series Overhead Pathway Light is designed to provide targeted white lighting with a decorative flair. The LPF fixture is suitable for parks, pathways, sidewalks, campuses and other pedestrian lighting projects. The system includes solar panel, two-axis adjustable panel mounting system, 360° adjustable overhang lighting arm for targeted lighting, one to three high-efficiency LED lamps, NEMA 3R battery enclosure, 106 to 232 amp-hour sealed battery, and solar charge controller, and So*Bright™ advanced lighting controls with remote control. Mounts to a 5.0" light pole.



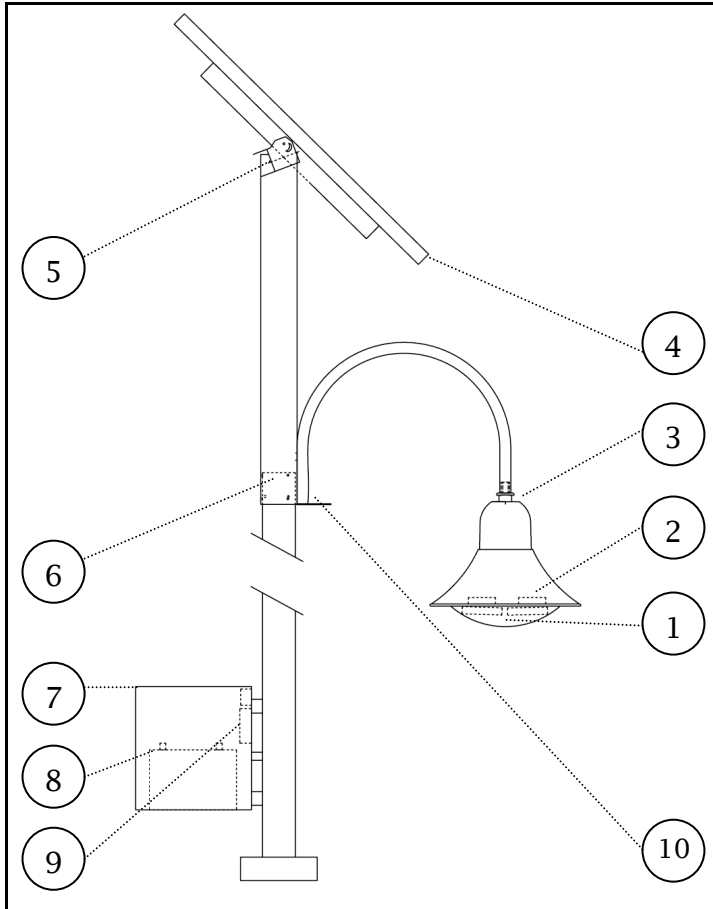
Features

- Illuminates with a Decorative Flair
- Holds one to three high-lumen LED Lamps
- Illumination pattern optimized for pathways
- Low-copper, cast aluminum light fixture
- Stainless steel hardware
- Polyester powder coat finish
- Up to 1800 lumens and 50,000 hour bulb lifetime
- Three standard Power Packages available
- Adjust timing and Light Levels with Remote Control
- Mounts to 5.0" OD light pole

All SolarOne Systems feature So*Bright™ Technology, making them the "Smartest Lights in the World." Only So*Bright manages brightness and adapts to low power conditions to ensure that you never leave your facility in the dark.



Anatomy of a SolarOne Light



1. White LED Lamps –The lamps offer high brightness, high color rendering, and 50,000hr life at 70 lumens per watt. 600, 1200 or 1800 lumens.

2. LED Driver – Constant current driver precisely controls light levels with up to 256 digital states. One driver per lamp.

3. LPF Fixture – Low-copper cast aluminum construction. Holds 1 to 3 lamps with 30° aiming for better pathway lighting.

4. Solar Panel – Poly-crystalline solar panel in 50, 80 or 120watts. Twenty year power output warranty.

5. Panel Mounting – Aluminum fixture allows 360° horizontal panel rotation using stainless ¼-20 allen-head set screws and vertical angles from horizontal (equatorial latitudes) to 70° (northern latitudes).

6. Pole Fitter – Slips over a 5.0” OD light pole. Secured by six stainless ¼-20 allen-head set screws.

7. Battery Enclosure –NEMA 3R rainproof, vented, aluminum enclosure with cover and mounting bracket and padlock hasp.

8. Batteries – One or two sealed 116amp-hour, 12volt, spill-proof, maintenance free AGM batteries with fused battery harness.

9. So*Bright Controls – The smartest, most versatile solar lighting controls available. Set timing, light-levels, and energy management options using a remote control.

10. Motion Detector (Optional) – Optional motion detector can be mounted here. Recommended for poles 12ft or less.

Fixture EPA: 3.0 sq-ft (0.28 sq-m)
Fixture Weight: 42 lbs (19 kg)

Accessories:

- Ground Rod Kit
- Vandal proof Motion Detector
- Data Logger

For more information see:

- High Lumen LED Lamp Spec Sheet
- Power Package Spec Sheet
- So*Bright Controls Spec Sheet
- Pathway photometric plots
- Poles Spec Sheet

How to Specify Fixture

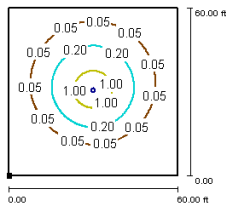
LPF - - -
Series Lamping Energy Package

Series		Lamping		Energy Package	
LPF	Solar Pathway Light, Flare	1-HL600	Single LED Lamp	Econ	Economy, 50W PV, 116Ahr battery
		2-HL1200	Double LED Lamp	Mid	Midsize, 80W PV, 116Ahr battery
		3-HL1800	Triple LED Lamp	Super	Super, 120W PV, 232Ahr battery

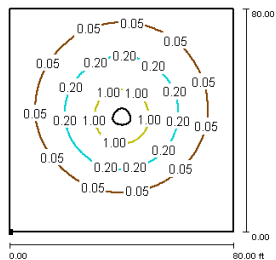
The pole is specified separately. Please see pole selection guide.

Photometry (preliminary)

LPF-1-HL600 (mounting height=12')



LPF-2-HL1200 (mounting height=16')



LPF-3-HL1800 (mounting height=20')

