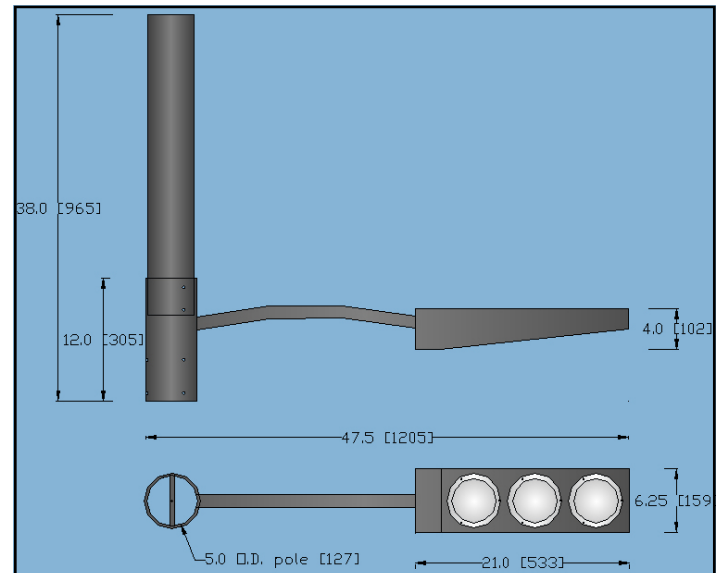




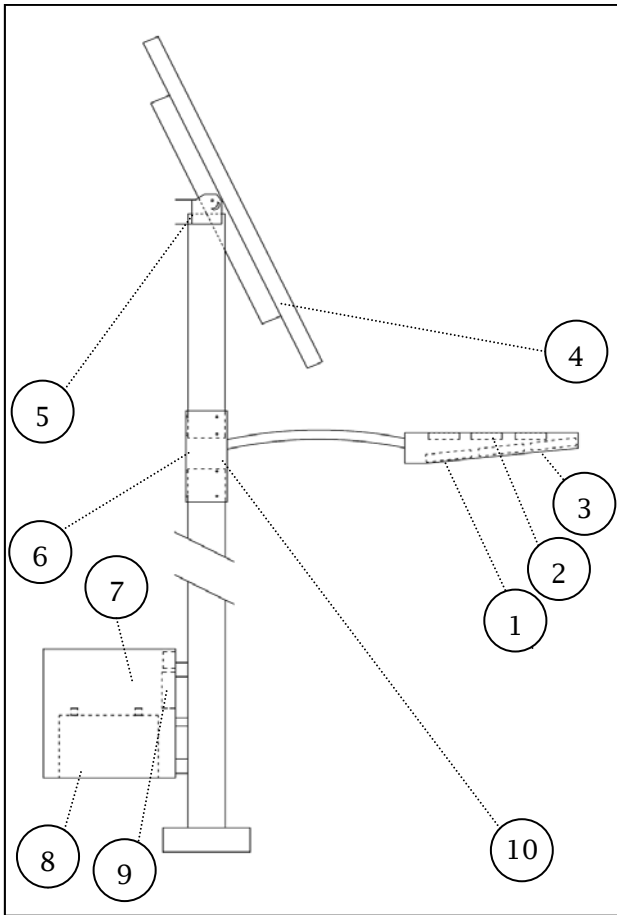
SolarOne's® Basic Series Overhead Light is designed to provide targeted white lighting without the need for expensive trenching and wiring. The LPB fixture is suitable for parks, pathways, sidewalks and other pedestrian lighting projects as well as parking lots.

The system includes solar panel, two-axis adjustable panel mounting system, 360° adjustable overhang lighting arm for targeted lighting, one to three high-efficiency LED lamps, NEMA 3R battery enclosure, 118 to 236 amp-hour sealed battery, solar charge controller, and SO-Bright® advanced lighting controls with remote control. Mounts to a 5.0" OD light pole.



Standard Configurations

Series	Lamps	Driver	Control(s)	Voltage	Panel(s)	Mounting	Battery	Enclosure	Pole Fitting	Finish	Options
	LPB-1HL600-MCD-MPT-12V-P50-TP-B118CA-EM1						LPB-1HL800-MCD-MPT-12V-P50-TP-B118CA-EM1				
	LPB-1HL600-MCD-MPT-12V-P80-TP-B118CA-EM1						LPB-1HL800-MCD-MPT-12V-P80-TP-B118CA-EM1				
	LPB-1HL600-MCD-MPT-12V-P130-TP-2B118CA-EL2						LPB-1HL800-MCD-MPT-12V-P130-TP-2B118CA-EL2				
	LPB-2HL600-2MCD-MPT-12V-P50-TP-B118CA-EM1						LPB-2HL800-2MCD-MPT-12V-P50-TP-B118CA-EM1				
	LPB-2HL600-2MCD-MPT-12V-P80-TP-B118CA-EM1						LPB-2HL800-2MCD-MPT-12V-P80-TP-B118CA-EM1				
	LPB-2HL600-2MCD-MPT-12V-P130-TP-2B118CA-EL2						LPB-2HL800-2MCD-MPT-12V-P130-TP-2B118CA-EL2				
	LPB-3HL600-3MCD-MPT-12V-P50-TP-B118CA-EM1						LPB-3HL800-3MCD-MPT-12V-P50-TP-B118CA-EM1				
	LPB-3HL600-3MCD-MPT-12V-P80-TP-B118CA-EM1						LPB-3HL800-3MCD-MPT-12V-P80-TP-B118CA-EM1				
	LPB-3HL600-3MCD-MPT-12V-P130-TP-2B118CA-EL2						LPB-3HL800-3MCD-MPT-12V-P130-TP-2B118CA-EL2				



- 1. White LED Lamps** –The lamps offer high brightness, high color rendering, and 50,000hr life at 70 lumens per watt. Up to 2400 lumens.
- 2. LED Driver** – Constant current driver precisely controls light levels with up to 256 digital states. One driver per lamp.
- 3. LPB Fixture** – Aluminum construction. Holds 1 to 3 lamps with 10° aiming for better light spread. Overall length is 48" (1220mm).
- 4. Solar Panel** – Poly-crystalline solar panel available in 50-360 watts based on requirements (see pg 23). Twenty year power output warranty.
- 5. Panel Mounting** – Aluminum fixture allows 360° horizontal panel rotation and vertical angles from horizontal (equatorial latitudes) to 70° (northern latitudes).
- 6. Pole Fitter** – Slips over a 5.0" OD light pole. Secured by six stainless ¼-20 allen-head set screws.
- 7. Battery Enclosure** –NEMA 3R rain-proof, vented, aluminum enclosure with cover and mounting bracket and padlock hasp. In-ground options available upon request (see pg 26).

- 8. Batteries** – 55-1056 Amp hrs @100 hr. rate, 12volt, spill-proof, maintenance free AGM batteries with fused battery harness. Batteries are specifically designed for cycling versus stand by.
- 9. SO-Bright® Controls** – The smartest, most versatile solar lighting controls available. Set timing, light-levels, and other features using a remote control.
- 10. Motion Detector (Optional)** – Optional motion detector can be mounted. Recommended for poles 10ft or less.

Fixture EPA: 2.1 sq-ft (0.20 sq-m)
Fixture Weight: 19 lbs (8.6 kg)

Accessories:
 Grounding Kit
 Vandal proof Motion Detector
 Data Logger

For more information see:
 High Lumen LED Lamp Spec Sheet
 Power Package Spec Sheet
 SO-Bright™ Controls Spec Sheet
 Pathway photometric plots
 Poles Spec Sheet

Photometrics

